

Fall

E-BOOK

2023 SPECIAL
YARN COLLECTION



4

Exclusive
Patterns

THAT CONVEY THE
COLORS, SOFTNESS,
AND WARMTH
OF THE SEASON!

CIRCULO



GET DELIGHTED WITH THE EXCLUSIVE PATTERNS THAT WILL MAKE YOUR AUTUMN MORE SPECIAL!

The most expected season of the year is around the corner, bringing with it the amazing color palette of autumn. We have launched the Fall E-book to celebrate this very special season! There are four exclusive patterns made with the 2023 Special Yarn Collection!

In this carefully created e-book, you will find truly unique exclusive patterns. The designs have been developed to capture the essence of autumn and provide plenty of comfort and coziness during the most charming season of the year.

This material is an invitation for you to explore this enchanting journey that is to make a piece using your own hands. Get ready to explore the textures and colors of Fall.

Remember to share your creations with us on social media. We love seeing your work! Use #circuloyarns!

Disclaimer: Measurements are approximate due to differences between centimeters and inches, needle sizes, and tension. All care has been taken to allow accurate completion of the pattern.

All care has been taken to ensure the accuracy of our patterns; the occasional error is inevitable though. We apologize for any inconvenience. Please if you find any error or have any questions about patterns send an email to: patternsupport@circulo.com.br



Teal

CARDIGAN



Created by Patricia Hagemann

Size: 6 bust 36" x 23.25" long

Level of difficulty: Intermediate

Material

Circulo Yarns - Bamboo

4 skeins color #2581 teal

Knitting needles 10/6 mm

Tapestry needle

Measuring tape & scissors

Stitch glossary and abbreviations:

st/sts: stitches

CO: cast on

BO: bind off

rep: repeat

dec: decreases

inc: increases

RS: right side

WS: wrong side

K: knit

P: purl

1x1 Rib st - follow chart 1

Garner st - follow chart 2

Pattern - follow chart 3

Gauge: 15 S x 28 R = 4"/10 cm over chart 2 (Garner st) using needles 10.

Back

CO 70 sts onto needles 10. Work in 1x1 Rib st up to 3.25" and then work in Garner st - follow chart 2 and rep sts up to 23.25". BO all sts and set piece aside.

Right front: CO 36 sts onto needles 10. Work in 1x1 Rib st up to 3.25" and then work as follows: 12 sts (chart 1), 12 sts (chart 3), 12 sts (chart 2). At 23.25" from the beginning BO all sts.

Left front: CO 36 sts onto needles 10. Work in 1x1 Rib st up to 3.25" and then work as follows: 12 sts (chart 2), 12 sts (chart 3), 12 sts (chart 1). At 23.25" from the beginning BO all sts.

Sleeves (make 2)

CO 28 sts onto needles 10. Work in 1x1 Rib st - chart 1 and rep sts up to 2.75". Inc 28 sts evenly spaced in the last row of rib = 56 sts. Work in Garner st, chart 2 and rep sts up to 17.75". BO all sts and make the other sleeve.

Assembly and finishing: Use tapestry needle and Bamboo to close shoulders (7" each). Close sides (10.75") and leave 7.5" open for arms and 5" open at the bottom. Close sleeves (17.75") and sew them around armholes.

Chart 1 - 1x1 Rib st

Note: odd rows (RS)
even rows (WS)

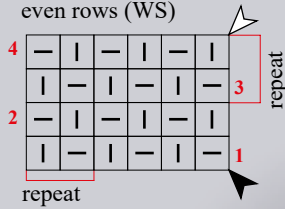


Chart 2 - Garter st

Note: odd rows (RS)
even rows (WS)

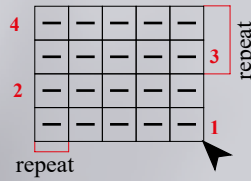
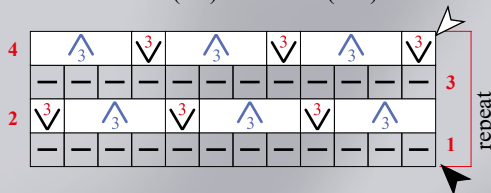


Chart 3 - Pattern

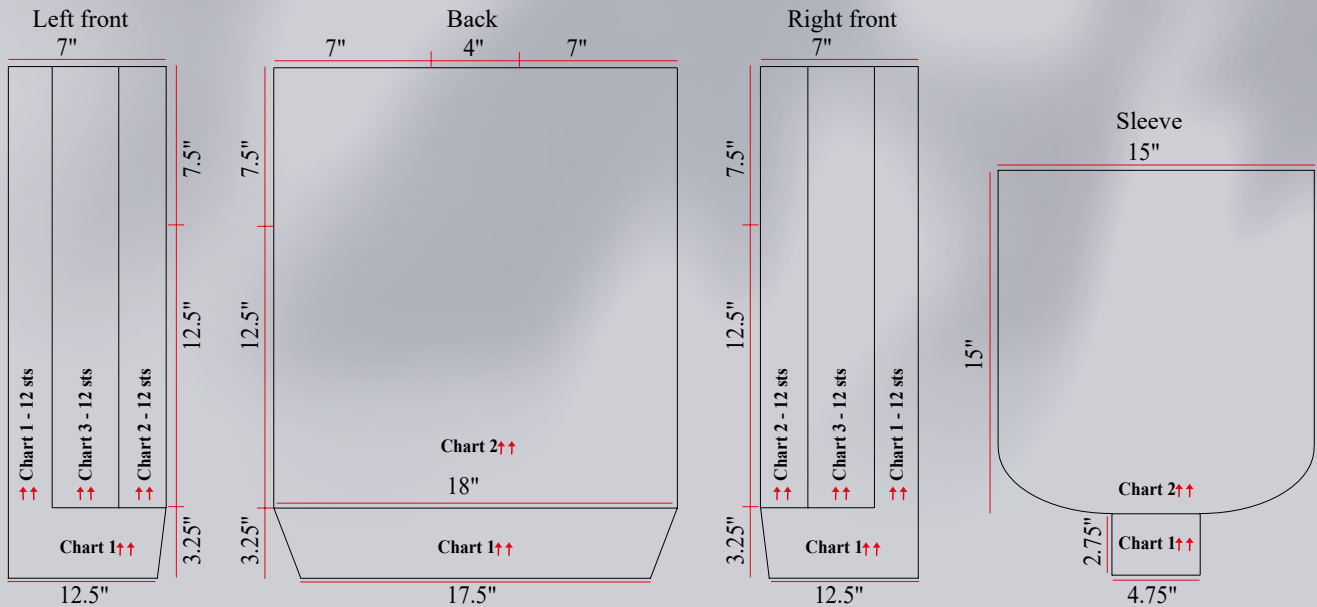
Note: odd rows (RS) even rows (WS)



Stitch key

- knit
- purl
- Inc 1-3 (k1, yo, k1)
- p3tog - purl 3 together
- ↑↑ direction
- ▲ beginning
- △ end

Measurement Chart





Foliage

LIP
TURTLENECK
PULLOVER

Created by Samara Varela
Size: 6 bust 41" x 23.75" long
Level of difficulty: Intermediate

Material

Circulo Yarns - Verbena
9 donuts color #8934 rose lip
Knitting needles US 10.5 and 11
Circular knitting needles US 10.5/ 24"
long
Measuring tape & scissors

Stitch glossary and abbreviations:

st/sts: stitches
CO: cast on
BO: bind off
CN: cable needle
rep: repeat
dec: decreases
inc: increases
RS: right side
WS: wrong side
K: knit
P: purl
2x2 Rib st: Row 1: *K2, P2*. Row 2 and all even rows: knit the knit stitches and purl the purl stitches.
Stockinette Stitch: Knit RS rows and Purl WS rows.
Pattern - follow chart

Gauge: 13 S x 16 R = 4"/10 cm using needles US 11.

Front and back are identical.

Make 2 panels. CO 66 sts onto needles 10.5 and work in 2x Rib st up to 4". Switch to needles US 11 and follow the Pattern (mirror chart at center) up to 22.5" and start neckline shaping: BO the 20 central sts and work sides separately. BO on the neckline side every 2 rows: 2 sts and 1 st. At 23.75" from the beginning, BO all sts.

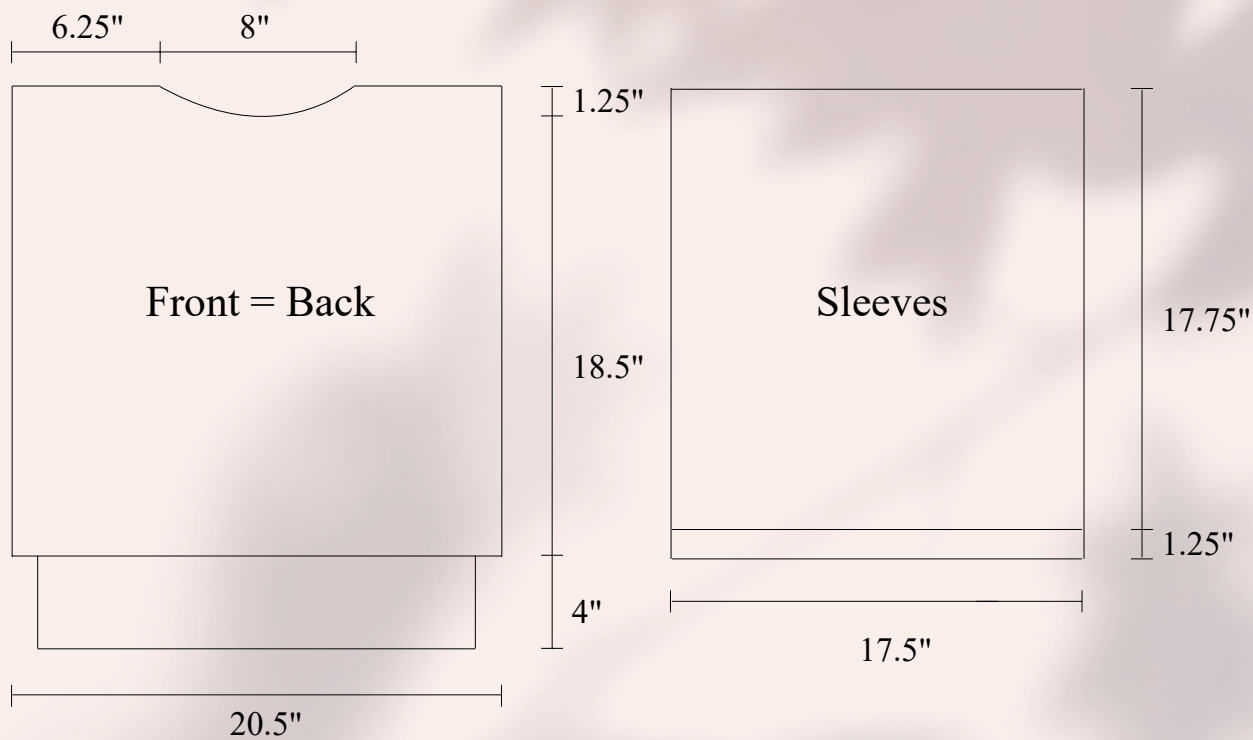
Sleeves (make 2)

CO 54 sts onto needles US 11 and work in 2x2 Rib st up to 1.25". Follow

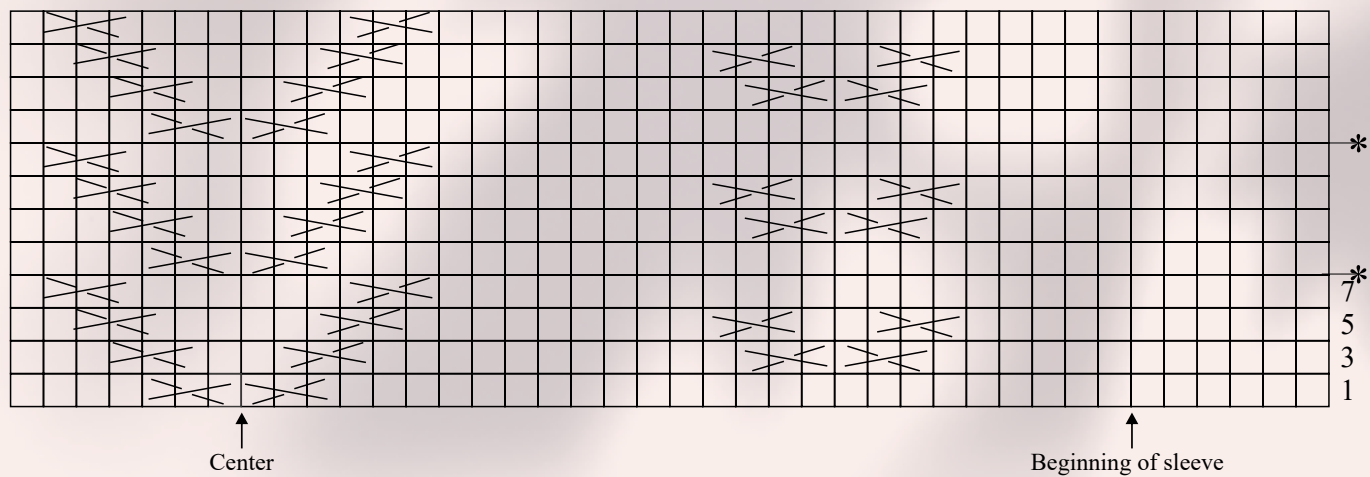
Pattern (mirror chart at center). At 19" from the beginning BO all sts.

Assembly and finishing

Sew shoulders. Use circular needles to pick up 84 sts around neckline and work in 2x2 Rib st up to 11". BO all sts. Close sleeves and sew them onto body, 8.75" on each side of the shoulder seam.



Pattern



Stitch key

- = knit
- ⋈ = 2/1 LC - sl 2 sts onto cn, hold in front, k1, k2 from cn
- ⋈ = 2/1 RC - sl 1 st onto cn, hold in back, k2, k1 from cn
- WS: knit the knit stitches and purl the purl stitches
- Rep from * to *

Retro

CARDIGAN



Created by Luciana Panza

Size: 6 bust 36" x 20.5" long

Level of difficulty: Intermediate

Material

Circulo Yarns - Luar

5 skeins color #2462 retro blue

Knitting needles US9/5.5 mm or size to obtain the gauge

Measuring tape & scissors

Stitch glossary and abbreviations:

st/sts: stitches

CO: cast on

BO: bind off

rep: repeat

dec: decreases

inc: increases

RS: right side

WS: wrong side

K: knit

P: purl

2x2 Rib: Row 1: *K2, P2*. Row 2 and all other rows: knit the knit stitches and purl the purl stitches.

Pattern - follow chart

Gauge: 18 S x 22 R = 4"/10 cm over Pattern using needles 9.

Back

CO 78 sts onto needles 9. Work in 2x2 Rib st up to 6" and then follow Pattern. Inc 1 st in the first row of pattern. At 20.5" from the beginning BO all sts.

Right front

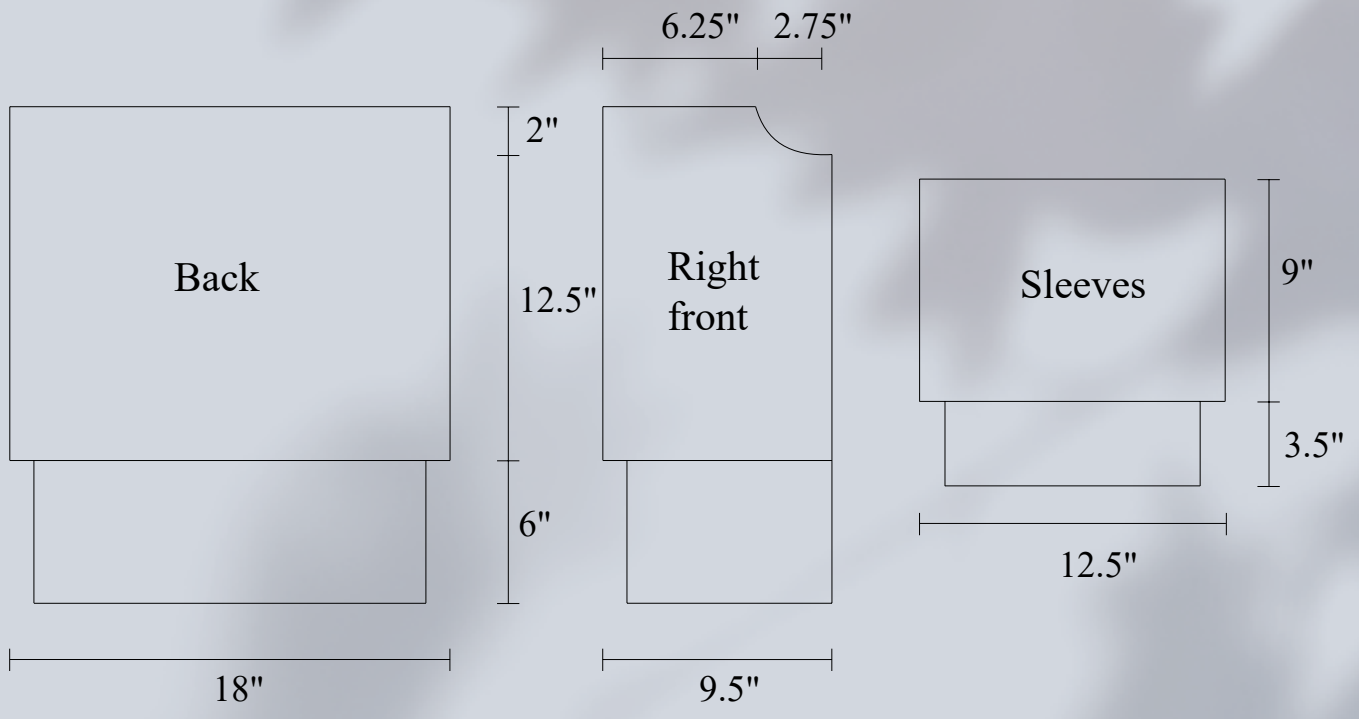
CO 46 sts onto needles 9 and work in 2x2 Rib st up to 6" and the follow Pattern up to 18.5". Start neckline shaping: dec on the right side every 2 rows: 6 sts, 3 sts (2x), and 1 st. At 20.5" from the beginning, BO all sts.
Left front - mirror right.

Sleeves

CO 58 sts onto needles 9 and work in 2x2 Rib st up to 3.5" and then follow Pattern. Inc 19 sts evenly paced in the first row of pattern. At 12.5" from the beginning BO all sts.

Assembly and finishing

Sew shoulders. Pick up 98 sts along front on the RS. Work in 2x2 Rib st up to 1.5". BO all sts. Do the same on the other front. Pick up 68 sts along neckline and borders of both fronts and work in 2x2 Rib st up to 1.5". BO all sts. Sew sleeves onto body, 6.75" on each side of the shoulder seam. Close sleeves and sides.



Pattern

—	—	○		∧		○	—	—	○		∧		○	—	—
—	—	○		∧		○	—	—	○		∧		○	—	—
—	—	∧	○			○	∧	—	—	∧	○			○	∧
—	—	∧	○			○	∧	—	—	∧	○			○	∧
—	—		∧	○		○	∧	—	—		∧	○		○	∧
—	—	○		∧		○	—	—	○		∧		○	—	—
—	—	○		∧		○	—	—	○		∧		○	—	—
—	—	∧	○			○	∧	—	—	∧	○			○	∧
—	—	∧	○			○	∧	—	—	∧	○			○	∧
—	—		∧	○		○	∧	—	—		∧	○		○	∧
—	—	○		∧		○	—	—	○		∧		○	—	—
—	—	○		∧		○	—	—	○		∧		○	—	—
—	—	∧	○			○	∧	—	—	∧	○			○	∧
—	—	∧	○			○	∧	—	—	∧	○			○	∧
—	—		∧	○		○	∧	—	—		∧	○		○	∧
—	—		∧	○		○	∧	—	—		∧	○		○	∧

Stitch key

□ = knit

— = purl

○ = yarn over

∧ = K2tog

∧ = SKP: slip 1, k1, pass sl st over

∧ = S2KP: sl 2 sts, k1, pass 2 sl sts over

WS: knit the knit stitches and purl the purl stitches

Rep from * to *

Fantastic

CARDIGAN



Created by Maria Gorete Andrade

Size: 6 bust 34" x 23.75" long

Level of difficulty: Advanced

Material

Circulo Yarns - Fantastic

4 donuts color #9607 smart

Knitting needles US10/6 mm or size to obtain gauge

Circular needles US 10/6 mm 24" long

Measuring tape & scissors

Stitch glossary and abbreviations:

st/sts: stitches

CO: cast on

BO: bind off

CN: cable needle

rep: repeat

dec: decreases

inc: increases

RS: right side

WS: wrong side

K: knit

P: purl

Stockinette Stitch: Knit RS rows and Purl WS rows.

2x2 Rib: Row 1: *K2, P2*. Row 2 and all other rows: knit the knit stitches and purl the purl stitches.

Pattern - follow chart

Gauge: 17 S x 20 R = 4"/10 cm over Pattern using needles 10.

Back

CO 72 sts onto needles 10 and work in 2x2 Rib st up to 4" and then work as follows up to 23.75": 6 sts = St st, 60 sts = Pattern chart, 6 sts = St st BO all sts and set piece aside.

Right front

CO 43 sts onto needles 10 and work in 2x2 Rib st up to 4" and then work as follows: 37 sts = Pattern (see specific part on chart), 6 sts = St st. At 15" from the beginning, start neckline shaping: BO on the right side at 16

sts from the edge and at every 2 rows 1 st (3x) and 1 st every 4 rows (9x). At 23.75" from the beginning, BO all sts.

Left front

CO 43 sts onto needles 10 and work in 2x2 Rib st up to 4" and then work as follows: 6 sts = St st, 37 sts = Pattern (see specific part on chart). At 15" from the beginning, start neckline shaping: BO on the left side at 16 sts from the edge and at every 2 rows 1 st (3x) and 1 st every 4 rows (9x). At 23.75" from the beginning, BO all sts.

Sleeves (make 2)

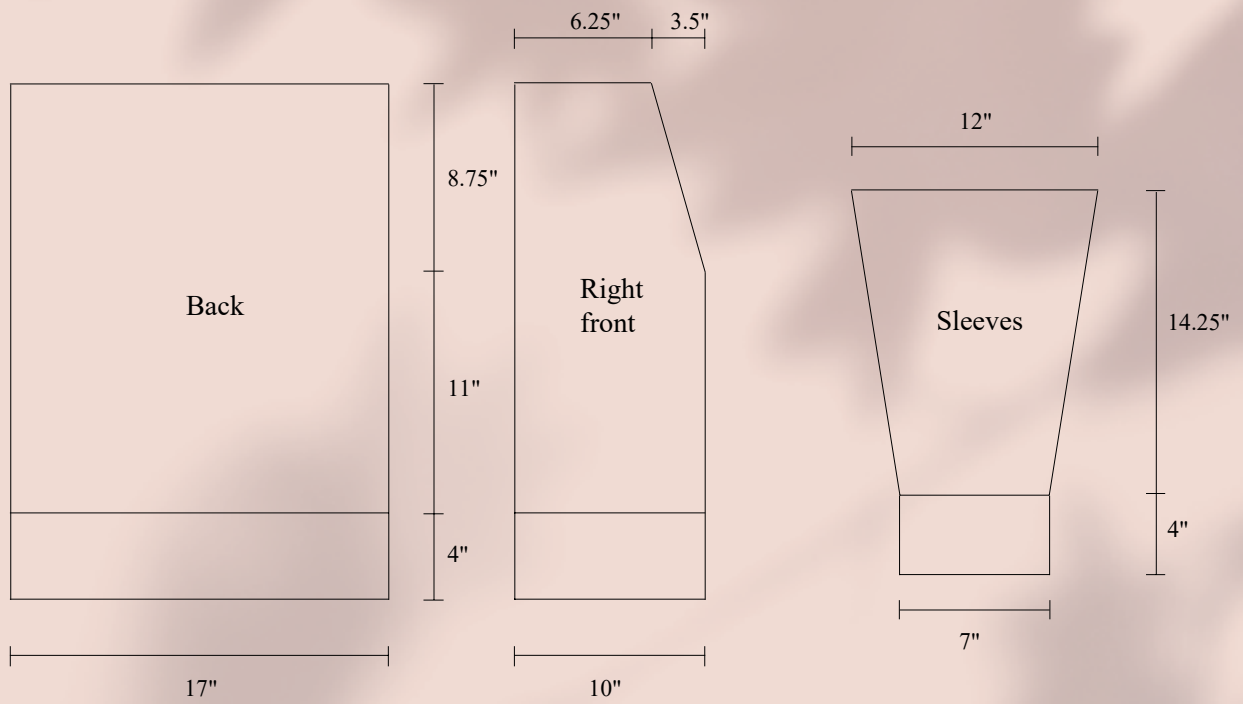
CO 30 sts onto needles 10. Work in 2x2 Rib st up to 4" and then follow chart. Inc 1 st on each side every 10 rows (10x). At 18" from the beginning BO all sts.

Pocket (make 2)

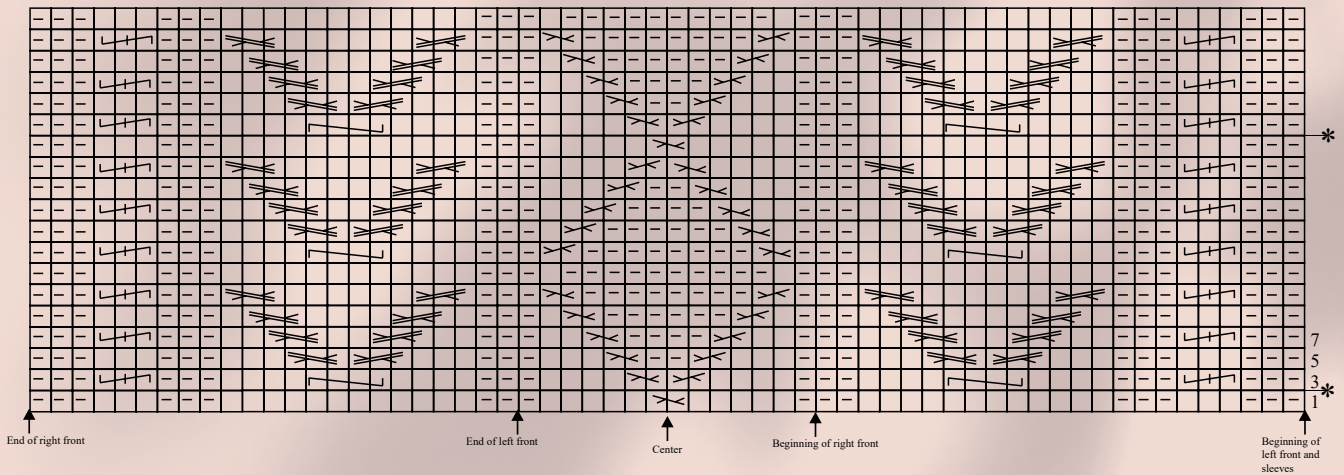
CO 24 sts onto needles 10 and work in St st up to 4.5" and then work in 2x2 Rib st up to 5.5" from the beginning. BO all sts.

Assembly and finishing

Sew shoulders. Use the circular needles to pick up 266 sts on the RS of both fronts and back neckline. Work in 2x2 Rib st up to 2". BO all sts. Sew sleeves onto body, 6" on each side of the shoulder seam. Close sleeves and sides. Sew pockets on each front, 1.5" from the side seam and 5.5" from the bottom.



Pattern






Stitch key

- = purl
- = knit
- ┌ = 2/2 LC - sl 2 sts onto cn, hold in front, k2, k2 from cn
- × = 1/1 RC (RT) - sl 1 st onto cn, hold in back, k1, k1 from cn
- × = 1/1 LC (LT) - sl 1 st onto cn, hold in front, k1, k1 from cn
- ≡ = 2/1 RC - sl 1 st onto cn, hold in back, k2, k1 from cn
- ≡ = 1/1/2 - sl 1 st onto first cn and hold in back, sl 1 st onto 2nd cn and hold in front, k1, knit the first st onto cn and the second st of the cn.
- ┌ = Note: the central stitch is between 2 crossed sts.

WS: knit the knit stitches and purl the purl stitches.

Rep from * to *

CIRCULO

   circulo.usa
www.circuloyarns.com